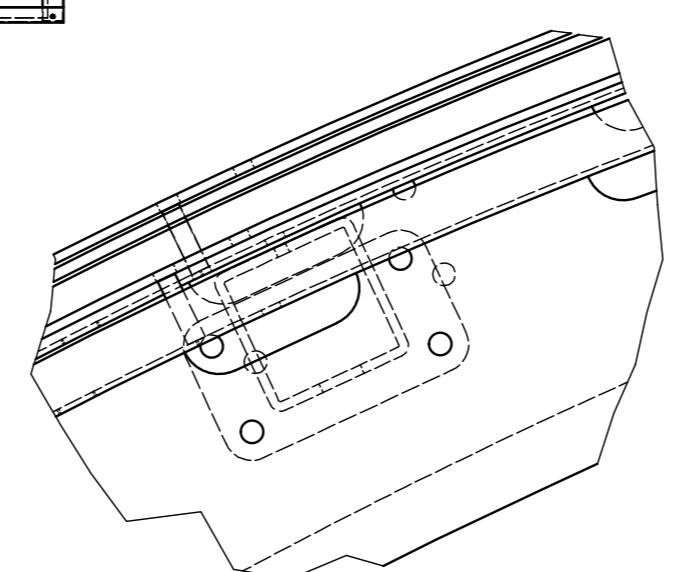



B (0,25)



Parts List			
Pos	Varenummer	Benævnelse	Antal
1	72570202-02	Max Gavbjølle samlet	2
2	72570202-04	MAX tværbjælke samlet	2
3	10084715	Max fundament til Våstrafik.	1
4	72570202-01	MAX endestop for tagplader	2
5	71070202-01	Pet plate	5
6	72570202-03	Max midterbjølle - samlet	4
7	72570202-05	Pole	4
8	72570202-07	MAX tværbjælke samlet	1
9	72570202-08	Max ben samlet	1
10	72570202-09	Max ben samlet	1
11	72570202-10	Max - Luge for el	1

Construction approved by :	Welding approved by :	Material:	Scale 1:25	Sheet Size: A2
This drawing is property of VEKSØ A/S May not be copied or used by third person.		All dimensions is in mm. Gen Tol : DS/ISO 2768M	Subject:	
 <p>VEKSØ A/S, Nordensvej 2, DK-7000 Fredericia www.vekso.com, info@vekso.com</p>		Drawn by : elh	Rev : A / CO	
		Date : 20-12-2010	Date : 16-09-2015	
Description :		Part Number: Max enkelt		
Drawing Nr. :		54770202.idw		