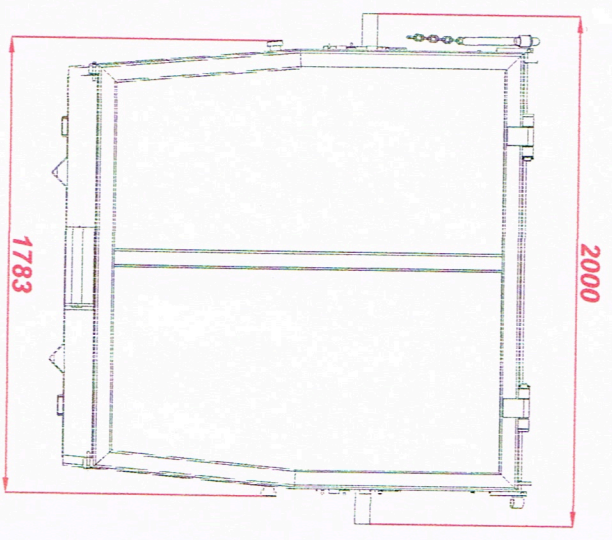
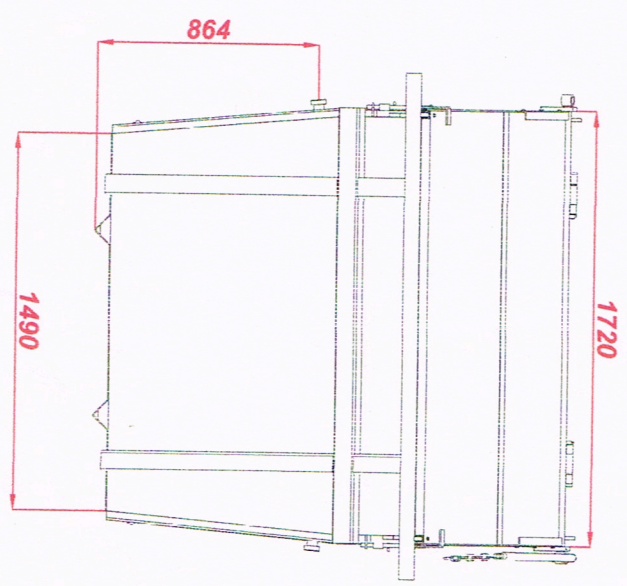
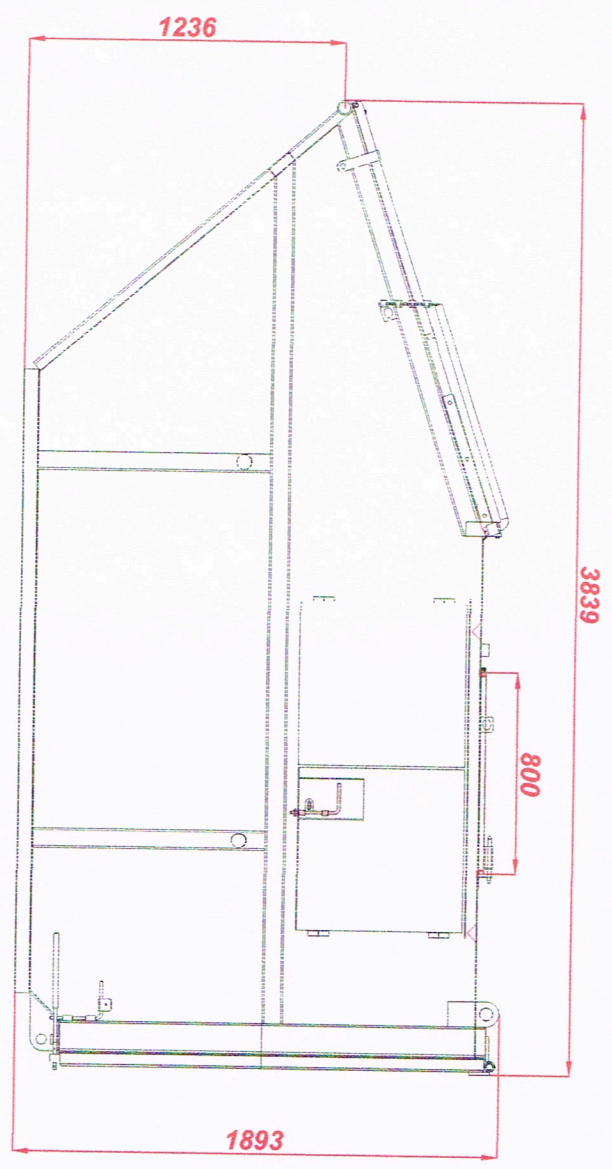


GMM Container All rights reserved

This document is copyrighted, and whether containing patentable or no patentable subject matter, embodies the proprietary and confidential information of GMM Container. The recipient and the recipient's company/agent/ third party is bound in confidence with the understanding that it and its information in it will be reproduced, used or disclosed in whole or in part for any purpose except the limited purpose for which it is loaned.
This document shall be returned to GMM Container upon demand.

	thick	quality
sides	3	S137
bottom	4	S137
roof	3	S137
lined	2	S137



13/5

Name	
LK 10 -SBD-HTS-HS-SP	
Drawing no.	107.10.0.2.02.02-00.00.00
Scale	
Design	Brozek
Drawn	Brozek
Date	17-11-2014
Checked	Brozek
Material	
Weight	940 kg
Sheet no.	

GMM
ServiceCenter